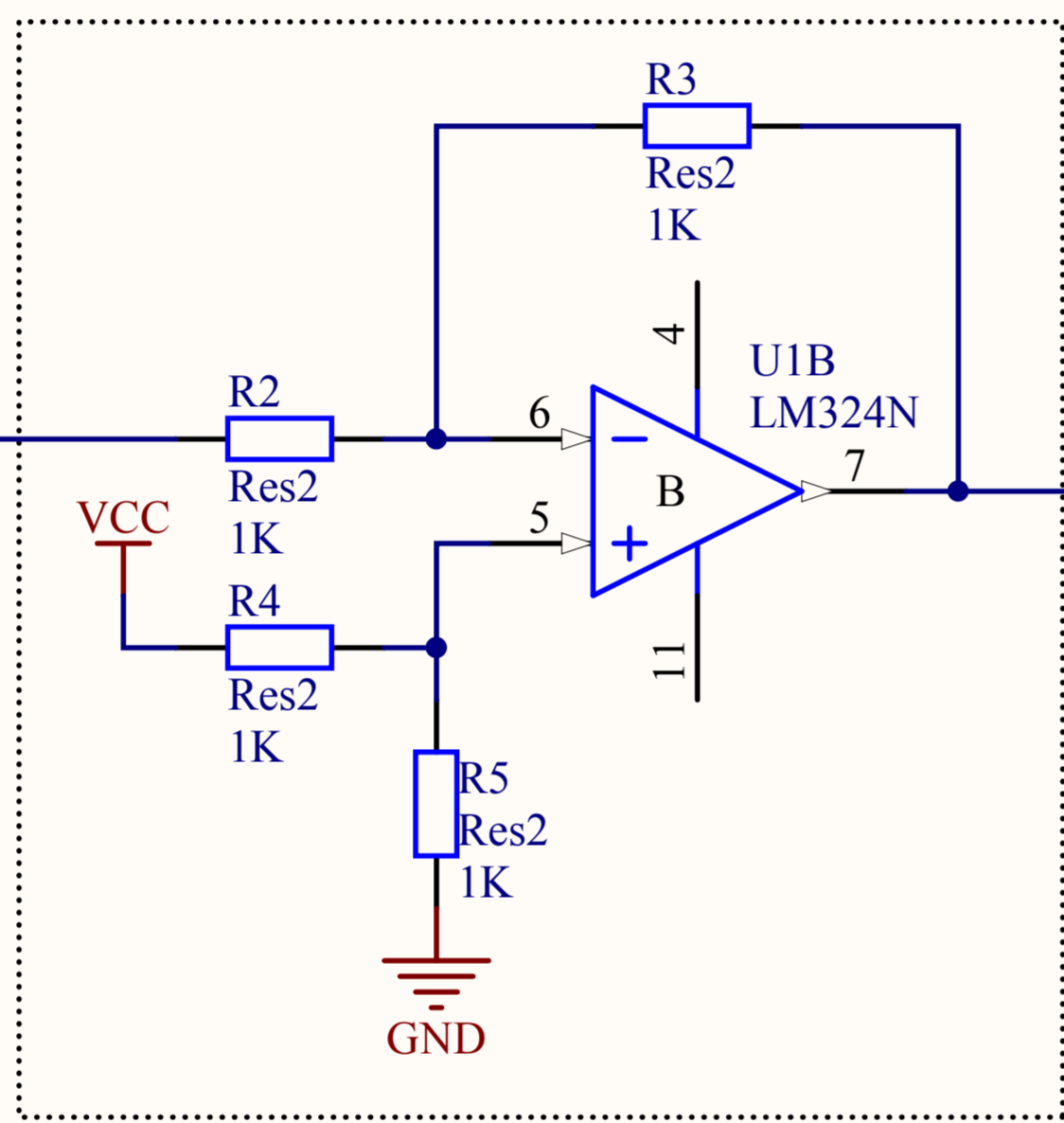
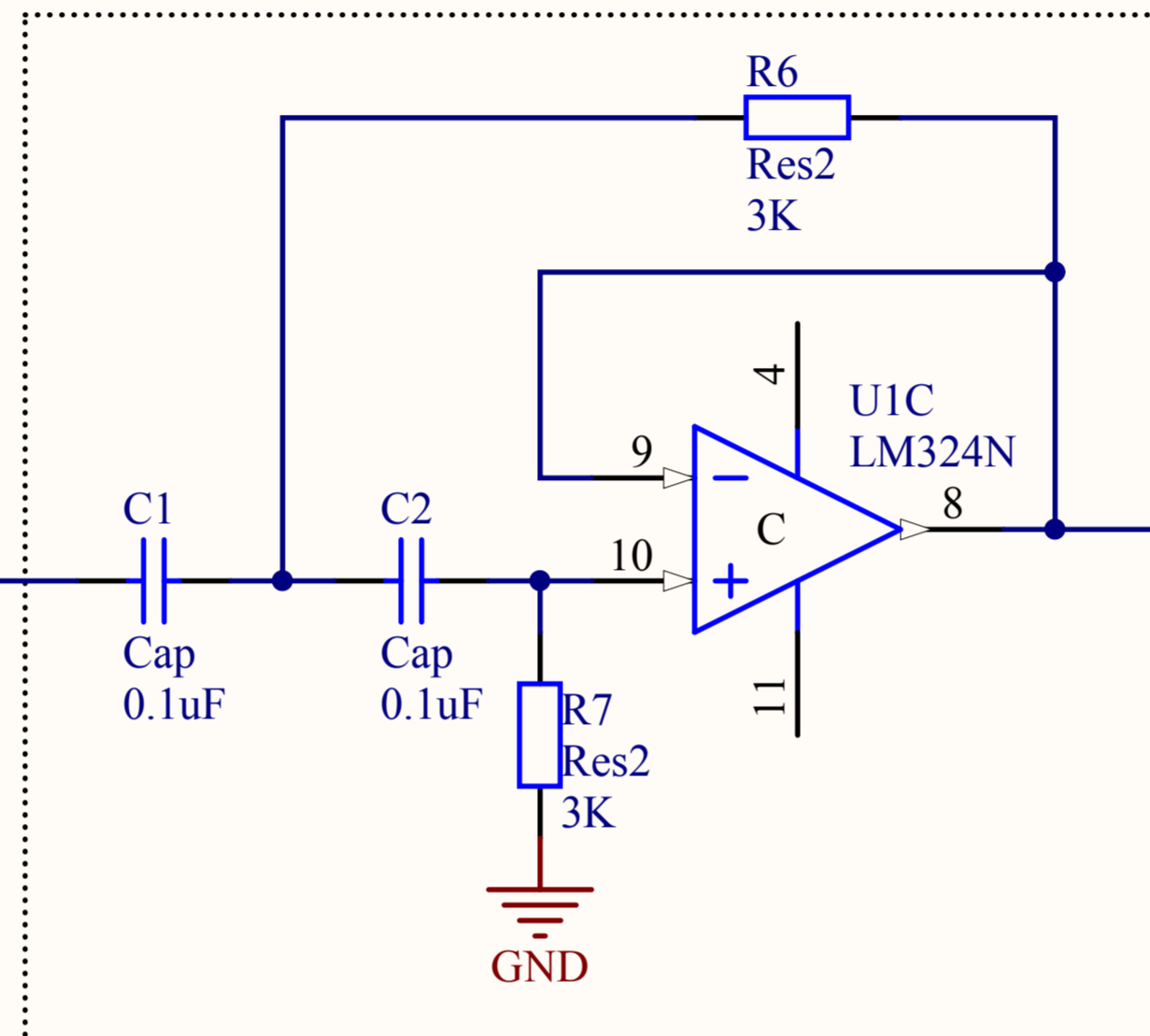


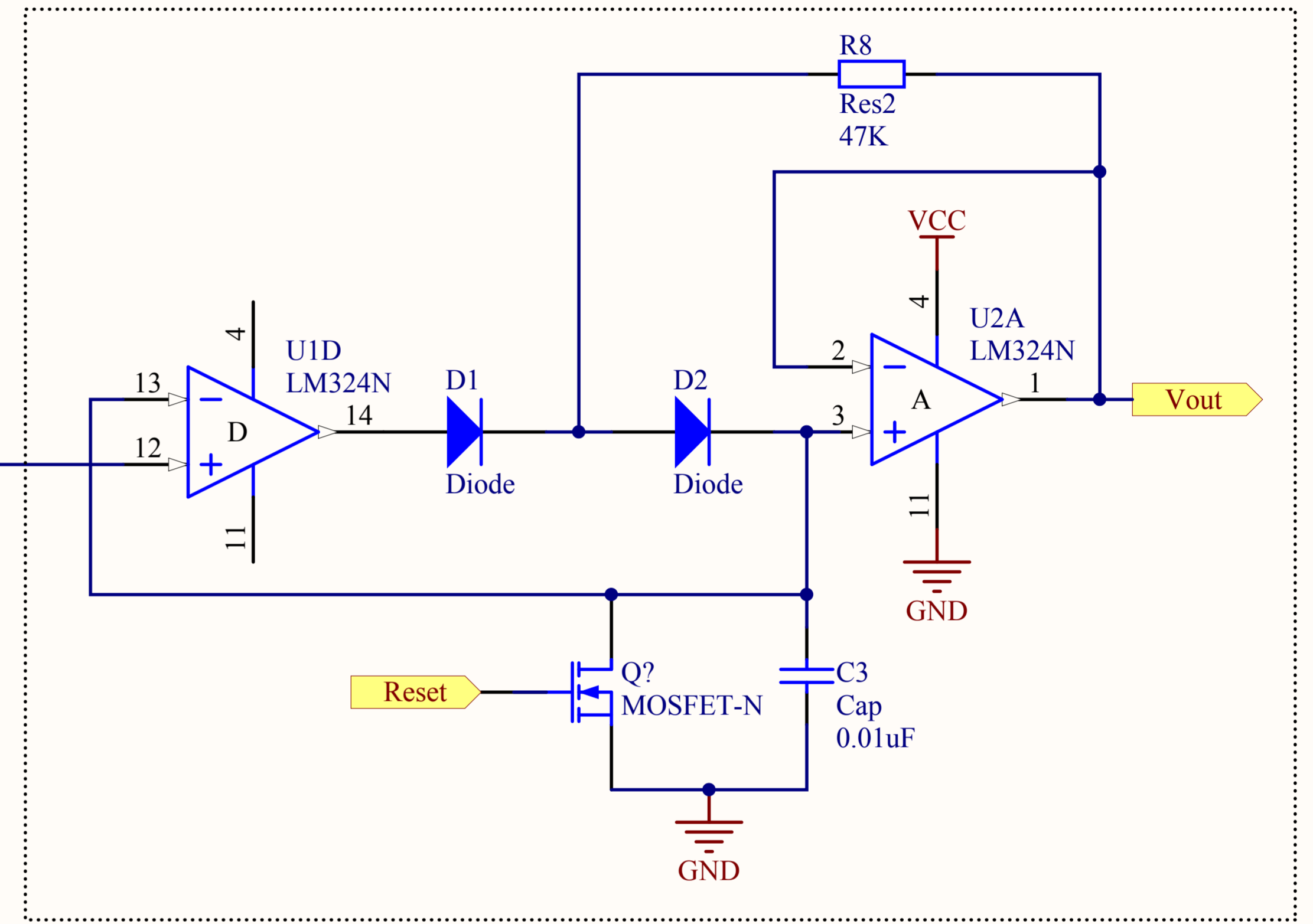
Current to Voltage



Vcc - V



High Pass Filter



Peak Sample and Hold with Reset

Title		
Size	Number	Revision
A4		
Date:	07/04/2008	Sheet of
File:	E:\Users\...\stb1.SchDoc	Drawn By: